

92

Digital Calipers

EDC

Metal Digital Calipers with dual mode measurement system - inches & mm

Rugged, stainless steel caliper body with zinc die cast display chamber

Large high contrast LCD digital readout

Delivers accurate readings of inside, outside, depth & step measurements

Freewheeling thumb roller mechanism for smooth movement along the linear scale

Convenient to use locking screw to set calipers at any desired position

Measurement can be zero set at any position along the scale for incremental measurements

Extendable depth gauge for use in slots & small holes

In-built data output interface to transfer data to PC/Laptop etc.

Data cable not included

Version with IP67 level compliance also available


EDC/6

EDC/6/67

Includes 3V lithium battery

IP67 Compliant :

- a. Ingress of dust will not adversely affect the caliper
- b. Water splash will not adversely affect the caliper

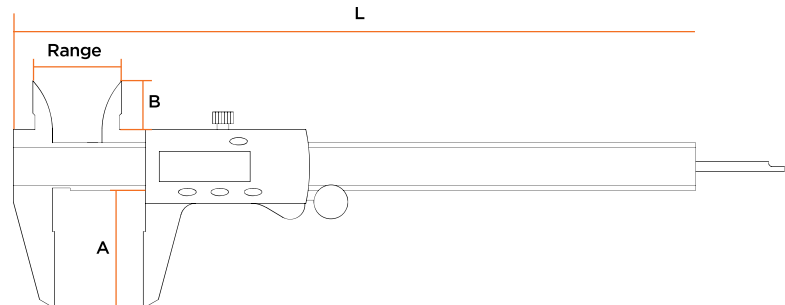
Reading in mm



Reading in inch



RESOLUTION	ACCURACY
0.01 MM / 0.0005"	± 0.02 MM / ± 0.001"



ORDERING INFORMATION

CAT NR.	RANGE		ACCURACY		A		B		L		BOX QTY.
	(MM)	(INCH)	(MM)	(INCH)	(MM)	(INCH)	(MM)	(INCH)	(MM)	(INCH)	
EDC/6	0 - 150	0 - 6	± 0.02	± 0.001	39.50	1.60	16.00	0.60	236.00	9.30	1
EDC/8	0 - 200	0 - 8	± 0.02	± 0.001	50.00	2.00	19.50	0.76	286.00	11.25	1
EDC/12	0 - 300	0 - 12	± 0.02	± 0.001	59.25	2.33	21.00	21.00	400.00	16.4	1
IP67 COMPLIANT											
EDC/6/67	0 - 150	0 - 6	± 0.02	± 0.001	39.50	1.60	15.00	0.59	236.00	9.30	1