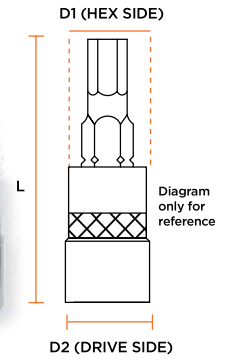
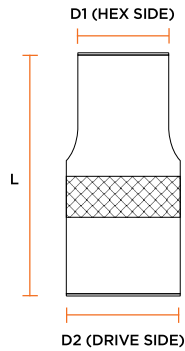


01
**Hand
Sockets**
SKT

1/4" DRIVE

ORDERING INFORMATION

CAT NR.	SIZE (MM)	L (MM)	D1 (MM)	D2 (MM)	BOX QTY.
---------	-----------	--------	---------	---------	----------

HEX SOCKETS


SKT/H/1-4/4/UG	4	25	6.80	4	10
SKT/H/1-4/4.5/UG	4.5	25	7.10	4.5	10
SKT/H/1-4/5/UG	5	25	8.00	5	10
SKT/H/1-4/5.5/UG	5.5	25	8.30	5.5	10
SKT/H/1-4/6/UG	6	25	9.30	6	10
SKT/H/1-4/7/UG	7	25	10.50	7	10
SKT/H/1-4/8/UG	8	25	11.85	8	10
SKT/H/1-4/9/UG	9	25	12.85	9	10
SKT/H/1-4/10/UG	10	25	13.85	10	10
SKT/H/1-4/11/UG	11	25	15.85	11	10
SKT/H/1-4/12/UG	12	25	16.85	12	10
SKT/H/1-4/13/UG	13	25	17.85	13	10
SKT/H/1-4/14/UG	14	25	19.65	14	10

HEX SOCKETS - DEEP
NEW!


SKT/H/1-4/5D/UG	5	50	8.0	11.9	10
SKT/H/1-4/6D/UG	6	50	9.3	11.9	10
SKT/H/1-4/7D/UG	7	50	10.5	11.9	10
SKT/H/1-4/8D/UG	8	50	11.9	11.9	10
SKT/H/1-4/9D/UG	9	50	13.2	13.2	10
SKT/H/1-4/10D/UG	10	50	14.6	14.6	10
SKT/H/1-4/11D/UG	11	50	15.9	15.9	10
SKT/H/1-4/12D/UG	12	50	17	17	10
SKT/H/1-4/13D/UG	13	50	18	18	10

POZI BIT SOCKETS


SKT/1-4/PZ1/UG	PZ1	37	6.35	12	10
SKT/1-4/PZ2/UG	PZ2	37	6.35	12	10
SKT/1-4/PZ3/UG	PZ3	37	6.35	12	10

ORDERING INFORMATION

CAT NR.	SIZE (MM)	L (MM)	D1 (MM)	D2 (MM)	BOX QTY.
---------	-----------	--------	---------	---------	----------

HEX BIT SOCKETS


SKT/1-4/H3/UG	3	37	3	12	10
SKT/1-4/H4/UG	4	37	4	12	10
SKT/1-4/H5/UG	5	37	5	12	10
SKT/1-4/H6/UG	6	37	6	12	10
SKT/1-4/H7/UG	7	37	7	12	10
SKT/1-4/H8/UG	8	37	8	12	10
SKT/1-4/H10/UG	10	37	10	12	10

TORX BIT SOCKETS


SKT/1-4/T8/UG	T8	37	2.25	12	10
SKT/1-4/T10/UG	T10	37	2.70	12	10
SKT/1-4/T15/UG	T15	37	3.25	12	10
SKT/1-4/T20/UG	T20	37	3.80	12	10
SKT/1-4/T25/UG	T25	37	4.40	12	10
SKT/1-4/T27/UG	T27	37	5.0	12	10
SKT/1-4/T30/UG	T30	37	5.50	12	10
SKT/1-4/T40/UG	T40	37	6.60	12	10

SLOTTED BIT SOCKETS

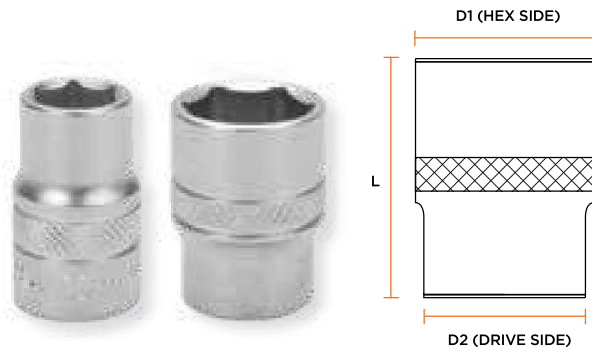

SKT/1-4/S4/UG	4	37	4	12	10
SKT/1-4/S5.5/UG	5.5	37	5.5	12	10
SKT/1-4/S7/UG	7	37	7	12	10

PHILIPS BIT SOCKETS


SKT/1-4/PH1/UG	PH1	37	6.35	12	10
SKT/1-4/PH2/UG	PH2	37	6.35	12	10
SKT/1-4/PH3/UG	PH3	37	6.35	12	10

Hand Sockets (continued)

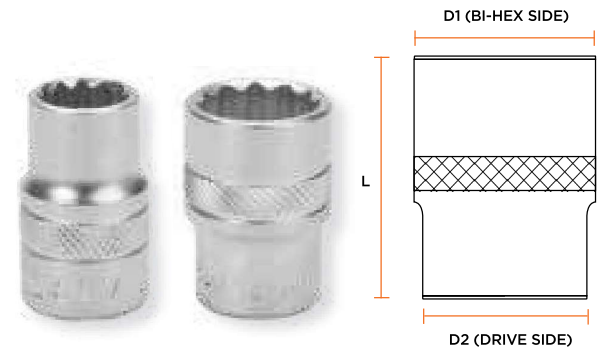
3/8" DRIVE



ORDERING INFORMATION

CAT NR.	SIZE (MM)	L (MM)	D1 (MM)	D2 (MM)	BOX QTY.
HEX SOCKETS					
SKT/H/3-8/6/UG	6	28	10.20	16.9	15
SKT/H/3-8/7/UG	7	28	10.60	16.9	15
*SKT/H/3-8/8/UG	8	28	11.80	16.9	15
SKT/H/3-8/9/UG	9	28	13.20	16.9	15
*SKT/H/3-8/10/UG	10	28	14.50	16.9	15
SKT/H/3-8/11/UG	11	28	15.70	16.9	15
*SKT/H/3-8/12/UG	12	28	16.90	16	15
*SKT/H/3-8/13/UG	13	28	17.90	16.5	15
*SKT/H/3-8/14/UG	14	28	19.70	17	15
SKT/H/3-8/15/UG	15	28	20.90	18	12
SKT/H/3-8/16/UG	16	30	21.90	19	12
*SKT/H/3-8/17/UG	17	30	23.45	20	10
SKT/H/3-8/18/UG	18	30	24.65	21	10
*SKT/H/3-8/19/UG	19	30	25.85	23	10
SKT/H/3-8/20/UG	20	32	27.15	24	8
SKT/H/3-8/21/UG	21	32	27.85	25	8
SKT/H/3-8/22/UG	22	32	29.65	26	6

* Best Seller



ORDERING INFORMATION

CAT NR.	SIZE (MM)	L (MM)	D1 (MM)	D2 (MM)	BOX QTY.
BI-HEX SOCKETS					
SKT/BH/3-8/6/UG	6	28	10.20	16.90	15
SKT/BH/3-8/7/UG	7	28	10.60	16.90	15
*SKT/BH/3-8/8/UG	8	28	11.80	16.90	15
SKT/BH/3-8/9/UG	9	28	13.20	16.90	15
*SKT/BH/3-8/10/UG	10	28	14.50	16.90	15
SKT/BH/3-8/11/UG	11	28	15.70	16.90	15
*SKT/BH/3-8/12/UG	12	28	16.90	16.00	15
*SKT/BH/3-8/13/UG	13	28	17.90	16.50	15
*SKT/BH/3-8/14/UG	14	28	19.70	17.00	15
SKT/BH/3-8/15/UG	15	28	20.90	18.00	12
SKT/BH/3-8/16/UG	16	30	21.90	19.00	12
*SKT/BH/3-8/17/UG	17	30	23.45	20.00	10
SKT/BH/3-8/18/UG	18	30	24.65	21.00	10
*SKT/BH/3-8/19/UG	19	30	25.85	23.00	10
SKT/BH/3-8/20/UG	20	32	27.15	24.00	8
SKT/BH/3-8/21/UG	21	32	27.85	25.00	8
SKT/BH/3-8/22/UG	22	32	29.65	26.00	6

* Best Seller



1/2" DRIVE



ORDERING INFORMATION

CAT NR.	SIZE (MM)	L (MM)	D1 (MM)	D2 (MM)	BOX QTY.
HEX SOCKETS					
*SKT/H/1-2/8/UG	8	38	13.20	21.80	15
SKT/H/1-2/9/UG	9	38	13.90	21.80	15
*SKT/H/1-2/10/UG	10	38	15.00	21.80	15
SKT/H/1-2/11/UG	11	38	16.30	21.80	15
*SKT/H/1-2/12/UG	12	38	17.60	21.80	15
*SKT/H/1-2/13/UG	13	38	18.80	21.80	15
*SKT/H/1-2/14/UG	14	38	20.40	21.80	15
SKT/H/1-2/15/UG	15	38	21.65	20.70	12
SKT/H/1-2/16/UG	16	38	22.90	21.50	12
*SKT/H/1-2/17/UG	17	38	23.90	22.00	10
SKT/H/1-2/18/UG	18	38	25.45	23.00	10
*SKT/H/1-2/19/UG	19	38	25.85	23.00	10
SKT/H/1-2/20/UG	20	38	27.85	24.00	8
*SKT/H/1-2/21/UG	21	38	27.85	25.00	6
SKT/H/1-2/22/UG	22	40	29.85	26.00	6
SKT/H/1-2/23/UG	23	40	31.65	27.00	6
*SKT/H/1-2/24/UG	24	42	31.85	28.00	6
SKT/H/1-2/25/UG	25	42	33.85	30.00	6
SKT/H/1-2/26/UG	26	42	35.45	30.00	4
*SKT/H/1-2/27/UG	27	43	35.85	30.00	4
SKT/H/1-2/28/UG	28	43	37.85	32.00	4
SKT/H/1-2/29/UG	29	43	37.85	32.00	4
*SKT/H/1-2/30/UG	30	46	39.85	34.00	4
*SKT/H/1-2/32/UG	32	46	41.85	36.00	4
SKT/H/1-2/33/UG	33	46	43.85	38.00	2
SKT/H/1-2/36/UG	36	46	47.85	38.00	2

* Best Seller



ORDERING INFORMATION

CAT NR.	SIZE (MM)	L (MM)	D1 (MM)	D2 (MM)	BOX QTY.
BI-HEX SOCKETS					
*SKT/BH/1-2/8/UG	8	38	13.20	21.80	15
SKT/BH/1-2/9/UG	9	38	14.30	21.80	15
*SKT/BH/1-2/10/UG	10	38	15.20	21.80	15
SKT/BH/1-2/11/UG	11	38	16.40	21.80	15
*SKT/BH/1-2/12/UG	12	38	18.00	21.80	15
*SKT/BH/1-2/13/UG	13	38	19.00	21.80	15
*SKT/BH/1-2/14/UG	14	38	20.20	21.80	15
SKT/BH/1-2/15/UG	15	38	21.00	21.80	12
SKT/BH/1-2/16/UG	16	38	21.00	21.50	12
*SKT/BH/1-2/17/UG	17	38	23.90	22.00	10
SKT/BH/1-2/18/UG	18	38	25.45	23.00	10
*SKT/BH/1-2/19/UG	19	38	25.85	23.00	10
SKT/BH/1-2/20/UG	20	38	27.85	24.00	8
*SKT/BH/1-2/21/UG	21	38	27.85	24.00	6
SKT/BH/1-2/22/UG	22	38	29.85	26.00	6
SKT/BH/1-2/23/UG	23	38	31.65	28.00	6
*SKT/BH/1-2/24/UG	24	38	31.85	28.00	6
SKT/BH/1-2/25/UG	25	40	33.85	30.00	6
SKT/BH/1-2/26/UG	26	42	35.45	31.00	4
*SKT/BH/1-2/27/UG	27	42	35.85	30.00	4
SKT/BH/1-2/28/UG	28	43	37.85	33.00	4
SKT/BH/1-2/29/UG	29	43	37.85	33.00	4
*SKT/BH/1-2/30/UG	30	44	39.85	34.00	4
*SKT/BH/1-2/32/UG	32	44	41.85	36.00	4
SKT/BH/1-2/33/UG	33	46	43.85	38.00	2
SKT/BH/1-2/36/UG	36	46	47.85	42.00	2

* Best Seller

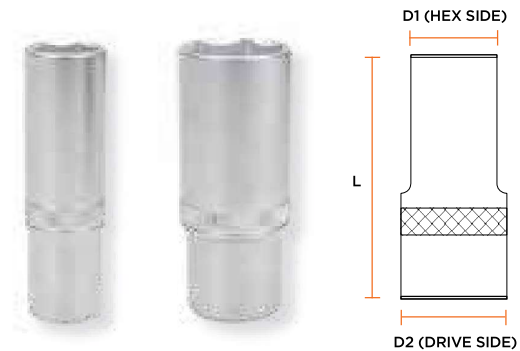
Hand Sockets (continued)



Professional Quality
SOCKETS

Designed &
manufactured to the
highest standards
for use in industrial &
automotive workshops

1/2" DEEP DRIVE



ORDERING INFORMATION

CAT NR.	SIZE	L (MM)	D1 (MM)	D2 (MM)	BOX QTY.
	(MM)				

HEX SOCKETS

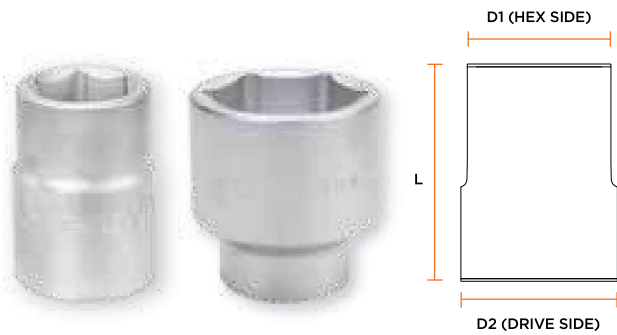


★SKT/H/1-2/10D/UG	10	77	15	21.95	15
SKT/H/1-2/11D/UG	11	77	16.30	21.95	15
★SKT/H/1-2/12D/UG	12	77	17.60	21.95	15
★SKT/H/1-2/13D/UG	13	77	18.80	21.95	15
★SKT/H/1-2/14D/UG	14	77	20.40	21.95	15
SKT/H/1-2/15D/UG	15	77	21.60	20.70	12
SKT/H/1-2/16D/UG	16	77	22.85	21.50	12
★SKT/H/1-2/17D/UG	17	77	23.85	22.00	10
SKT/H/1-2/18D/UG	18	77	25.40	23.00	10
★SKT/H/1-2/19D/UG	19	77	25.85	23.00	10
◆SKT/H/1-2/20D/UG	20	77	27.85	24.00	8
SKT/H/1-2/21D/UG	21	77	27.85	25.00	8
SKT/H/1-2/22D/UG	22	77	29.85	26.00	6
SKT/H/1-2/23D/UG	23	77	31.60	27.00	6
SKT/H/1-2/24D/UG	24	77	31.85	28.00	6
SKT/H/1-2/26D/UG	26	77	35.40	30.00	6
SKT/H/1-2/27D/UG	27	77	35.85	30.00	6
SKT/H/1-2/28D/UG	28	77	37.85	32.00	4
SKT/H/1-2/29D/UG	29	77	37.85	32.00	4
SKT/H/1-2/30D/UG	30	77	39.85	34.00	4
SKT/H/1-2/32D/UG	32	77	41.85	36.00	4

★ Best Seller ◆ New



3/4" DRIVE



ORDERING INFORMATION

CAT NR.	SIZE (MM)	L (MM)	D1 (MM)	D2 (MM)	BOX QTY.
---------	-----------	--------	---------	---------	----------

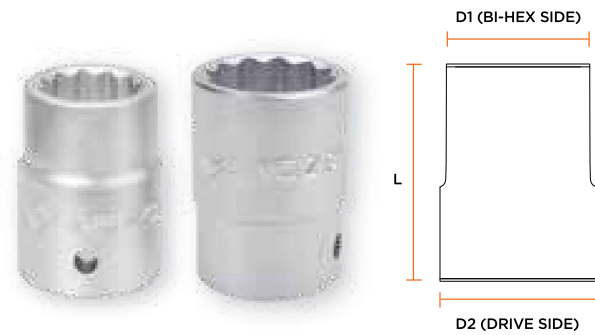
HEX SOCKETS

NEW!



SKT/H/3-4/22/MT	22	50	33	36	6
SKT/H/3-4/24/MT	24	50	35	36	6
*SKT/H/3-4/27/MT	27	52	38	36	6
*SKT/H/3-4/30/MT	30	54	42	38	4
*SKT/H/3-4/32/MT	32	56	44	38	4
*SKT/H/3-4/36/MT	36	58	50	42	4
SKT/H/3-4/38/MT	38	62	52	45	4
SKT/H/3-4/41/MT	41	64	56	45	4
SKT/H/3-4/46/MT	46	68	62	48	4
SKT/H/3-4/50/MT	50	72	68	48	2

* Best Seller



ORDERING INFORMATION

CAT NR.	SIZE (MM)	L (MM)	D1 (MM)	D2 (MM)	BOX QTY.
---------	-----------	--------	---------	---------	----------

BI-HEX SOCKETS



SKT/BH/3-4/22/MT	22	33	36	50	6
SKT/BH/3-4/24/MT	24	35	36	50	6
*SKT/BH/3-4/27/MT	27	38	36	52	6
*SKT/BH/3-4/30/MT	30	42	38	54	4
*SKT/BH/3-4/32/MT	32	44	38	56	4
*SKT/BH/3-4/36/MT	36	50	42	58	4
SKT/BH/3-4/38/MT	38	52	45	62	4
SKT/BH/3-4/41/MT	41	56	45	64	4
SKT/BH/3-4/46/MT	46	62	48	68	4
SKT/BH/3-4/50/MT	50	68	48	72	2

* Best Seller

Socket Merchandiser

Heavy duty steel construction in premium powder coated finish

CAT NR.	CONTENTS	BOX QTY.
SKT/H/1-2/UG/ST50	49 Hex Sockets of following sizes: 7 pcs: 10 mm 7 pcs: 13 mm 7 pcs: 17 mm 6 pcs: 19 mm 5 pcs: 22 mm 5 pcs: 24 mm 4 pcs: 27 mm 4 pcs: 30 mm 4 pcs: 32 mm	1

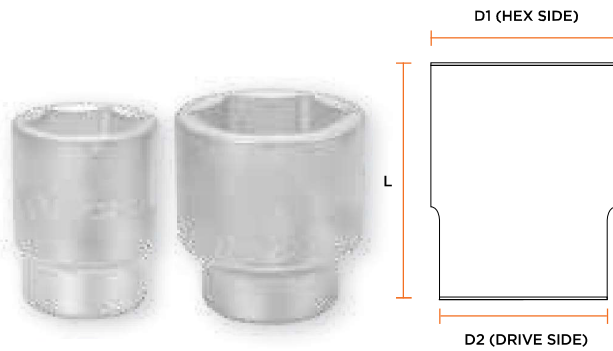
*Can be offered with Bi-Hex Sockets also

1/2" DRIVE



Hand Sockets (continued)

1" DRIVE



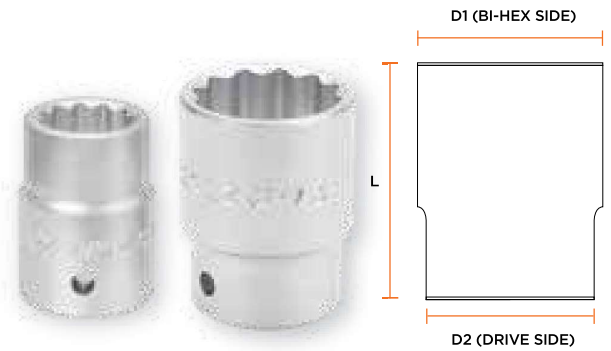
ORDERING INFORMATION

CAT NR.	SIZE	L (MM)	D1 (MM)	D2 (MM)	BOX QTY.
	(MM)				

HEX SOCKETS **NEW!**



SKT/H/0-1/36/MT	36	65	51	45	4
SKT/H/0-1/41/MT	41	70	57	45	4
SKT/H/0-1/46/MT	46	75	65	50	4
SKT/H/0-1/50/MT	50	75	70	55	2
SKT/H/0-1/55/MT	55	80	76	57	2
SKT/H/0-1/60/MT	60	84	82	57	2
SKT/H/0-1/65/MT	65	87	88	57	1
SKT/H/0-1/70/MT	70	93	94	68	1
SKT/H/0-1/75/MT	75	97	100	68	1
SKT/H/0-1/80/MT	80	103	105	68	1



ORDERING INFORMATION

CAT NR.	SIZE	L (MM)	D1 (MM)	D2 (MM)	BOX QTY.
	(MM)				

BI-HEX SOCKETS



*SKT/BH/0-1/36/MT	36	65	51	45	4
*SKT/BH/0-1/41/MT	41	70	57	45	4
*SKT/BH/0-1/46/MT	46	75	65	50	4
*SKT/BH/0-1/50/MT	50	75	70	55	2
*SKT/BH/0-1/55/MT	55	80	76	57	2
*SKT/BH/0-1/60/MT	60	84	82	57	2
*SKT/BH/0-1/65/MT	65	87	88	57	1
*SKT/BH/0-1/70/MT	70	93	94	68	1
*SKT/BH/0-1/75/MT	75	97	100	68	1
*SKT/BH/0-1/80/MT	80	103	105	68	1

* Best Seller



02
Socket Accessories

SLIDING T BARS

Manufactured from high quality Chrome Vanadium steel for strength & durability

Time & effort saving tool, provides right leverage for tightening nuts & bolts easily


ORDERING INFORMATION

CAT NR.	DRIVE	LENGTH		BOX QTY.
	(INCH)	(INCH)	(MM)	
SLTB/1-4/UG	1/4	4-1/2	115	10
SLTB/3-8/UG	3/8	6-1/2	165	10
SLTB/1-2/UG	1/2	10	250	5
SLTB/3-4/MT	3/4	18	450	1
SLTB/0-1/MT	1	22	550	1

EXTENSION BARS

Manufactured from high quality Chrome Vanadium steel for strength & durability

Corrosion resistant chrome plated finish

Used along with a socket to reach into confined spaces


ORDERING INFORMATION

CAT NR.	DRIVE	LENGTH		BOX QTY.
	(INCH)	(INCH)	(MM)	
DRXB/1-4/2/UG	1/4	2	50	10
DRXB/1-4/4/UG	1/4	4	100	10
◆DRXB/1-4/6/UG	1/4	6	150	10
DRXB/3-8/3/UG	3/8	3	75	5
DRXB/3-8/6/UG	3/8	6	150	5
DRXB/1-2/5/UG	1/2	5	125	5
DRXB/1-2/10/UG	1/2	10	250	5
DRXB/3-4/4/MT	3/4	4	100	10
DRXB/3-4/8/MT	3/4	8	200	5
DRXB/0-1/8/MT	1	8	200	5
DRXB/0-1/16/MT	1	16	400	2

◆New

FLEX HANDLE / POWER BARS

Bars manufactured from high quality hardened & tempered Chrome Vanadium steel for strength & durability

Hinged joint head and spring-loaded ball bearing joint for secure socket retention

Chrome Molybdenum Square Drive. Replaceable on 3/4" & 1" sizes



DFH/3-8/9/MT

DFH/1-2/15/MT

DFH/3-4/20/MT

DFH/0-1/26/MT

ORDERING INFORMATION

CAT NR.	DRIVE	LENGTH		DRIVE TYPE	BOX QTY.
	(INCH)	(INCH)	(MM)		
DFH/3-8/9/MT	3/8	9	225	Fixed	5
DFH/1-2/15/MT	1/2	15	375	Fixed	5
DFH/3-4/20/MT	3/4	20	500	Replaceable	5
DFH/0-1/26/MT	1	26	650	Replaceable	5