

96

Vernier Depth Gauges

VDG

Manufactured from hardened stainless steel

Designed for measuring depths of holes, slots & recesses and for inspecting jigs, fixtures and die work

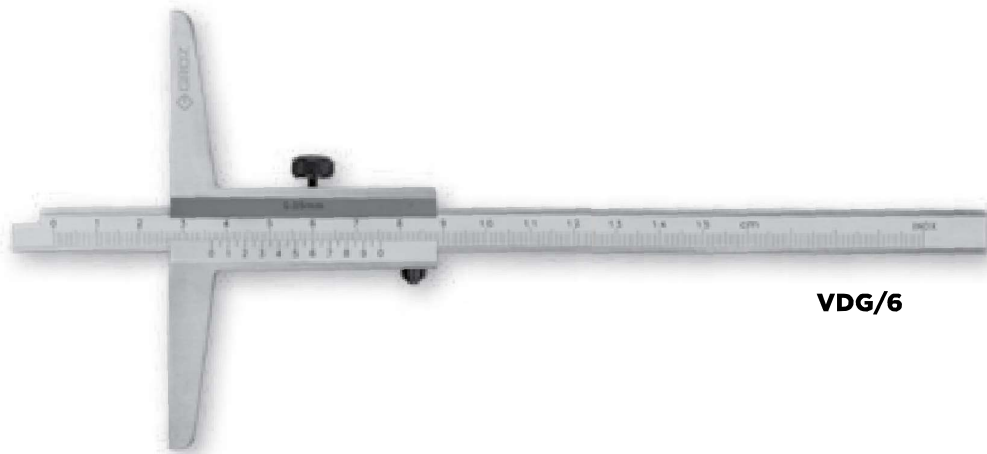
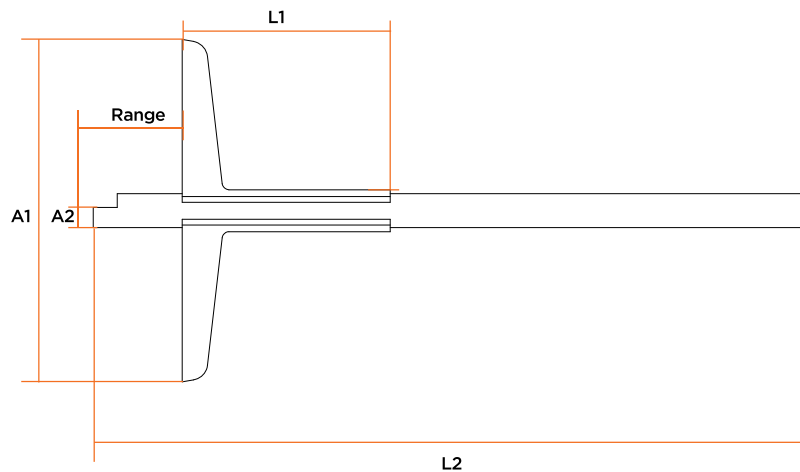
Vernier scale etched with permanent black graduations allows precise and convenient reading

Free wheeling thumb screw for smooth movement along the linear scale

Base Width: 100 mm

Base Thickness: 7.0 mm

Convenient to use locking screw to set calipers at desired position; a feature very useful in applications requiring repetitive measurements


VDG/6


RESOLUTION	ACCURACY
0.05 MM	± 0.05 MM

ORDERING INFORMATION

CAT NR.	RANGE		A1 (MM)	A2 (MM)	L1 (MM)	L2 (MM)	BOX QTY.
	(MM)	(INCH)					
VDG/6	150	6	100.00	6.00	61.50	225.00	5
VDG/8	200	8	100.00	6.00	61.50	275.00	5
VDG/12	300	12	100.00	6.00	61.50	373.00	5